

PurePulse “All-in-One” Test System

PurePulse

“All Waveform” ESD System

ONE system that provides ALL 2-pin ESD tests for packaged parts, bare die, and wafer level devices

Expandable to provide comprehensive ESD testing for Compliance to ESD Standards and Engineering Evaluation of design issues and new technologies

PurePulse Modularity

The growing family of PurePulse waveform generators now includes:

Human Body Model

Transmission Line Pulse

Very Fast Transmission Line Pulse

Ultra Fast Transmission Line Pulse

Human Metal Model

Machine Model

GTS Maestro software provides fully integrated control of the PurePulse device test platform, oscilloscope and source measurement unit (SMU), and optional probe station via a single, intuitive user interface.

Each PurePulse configuration comes with a multi-module signal routing subsystem. The PurePulse Smart Router routes the pulse generators to device test setups, including test fixture boards and probe needles, thus removing the need to change cabling when changing pulse type.

The Smart Router also provides and automates sensing connections of oscilloscope, DC and AC parametric test equipment for data collection.

GRUND TECHNICAL SOLUTIONS

Superior ESD Testing Solutions

+1-408-216-8364

info@grundtech.com

© 2022 Grund Technical Solutions, Inc.
All rights reserved



PurePulse Advantages

Modular for easy expansion and customization

Build the system you need today — customized to your own requirements

Add pulse generators, automation, and/or new probing options to meet future needs

Consistent software interface

GTS's Maestro software provides control of all GTS pulse generators and equipment from other manufacturers

Manual and automated testing

Test fixture boards with sockets for packaged devices

Manual wafer probing

Flying probes with automatic stepping software

DUT response measurement and display

Verifiable testing: stress waveforms recorded by oscilloscope

High resolution Source-Meter Measurement to automatically detect failure level

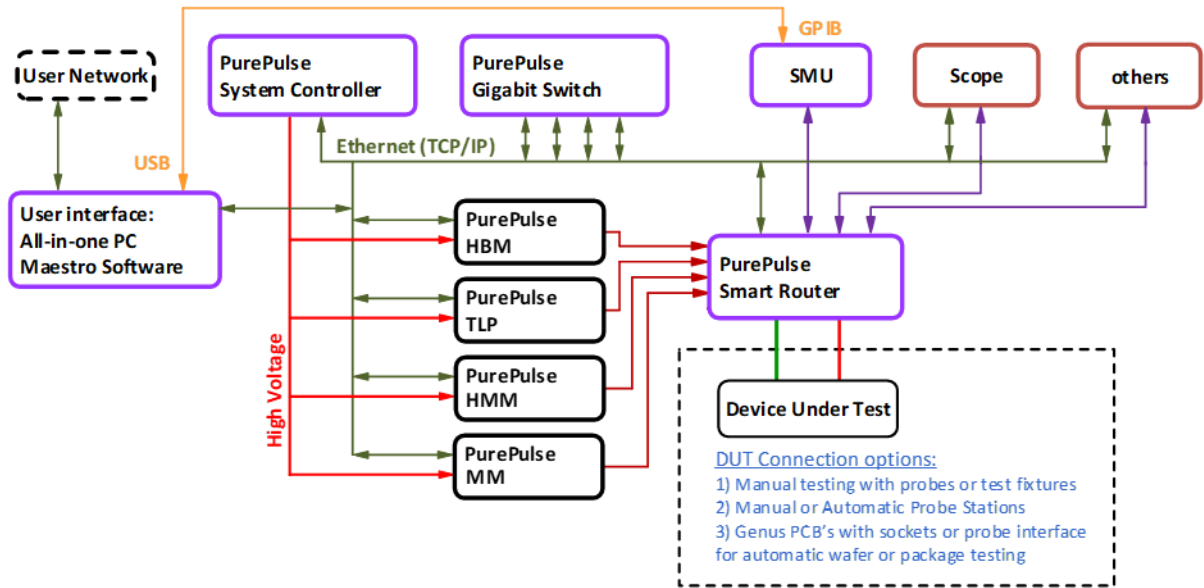
DC curve tracing

Automatic report generation

Excel® tables and charts show the test results

PurePulse “All-in-One” Test System

TECHNICAL DETAILS



PurePulse Controller and standard components

Controlling Computer	“All-in-One” Microsoft Windows® desktop PC
High Voltage Supply	± 0.1-1 volt resolution
Smart Router	Switches between pulsers and measurement equipment, no changing cables
DC Measurements	Source-Measure Unit standard with 5 digit resolution forcing voltage or current
Maestro Software	Controls pulsers and other equipment, including: <ul style="list-style-type: none"> • Probe stations and flying probe systems • Source-Meters for DC measurements • Oscilloscopes for pulse recording and DUT stress measurements

PurePulse ESD Modules — Can be used in any combinations

PurePulse HBM	Meets current ESDA and JEDEC joint Human Body Model Standard <ul style="list-style-type: none"> • Positive and negative pulse pair in 100 ms • No pre-pulse voltage ramp and no leakage current after pulse • Qualifies as a “Low Parasitic HBM Tester”
PurePulse TLP	<ul style="list-style-type: none"> • 2 and 10 ns rise times and 100 ns pulse width standard (other widths and rise times optional) • 20 A into a short circuit, 1000 V maximum open circuit • TDR-Overlapped configuration
PurePulse VF-TLP	<ul style="list-style-type: none"> • VF-TLP features patented Ekho pulse reflection control which eliminates reverse voltage reflections • Kelvin or TDR-Separated configuration
PurePulse HMM	Meets ANSI/ESDA/ESD SP5.6 Human Metal Model <ul style="list-style-type: none"> • 100 Ω pulse delivery impedances
PurePulse MM	Meets ESDA and JEDEC Machine Model Standards <ul style="list-style-type: none"> • 100 to 400 V

Grund Technical Solutions, Inc.

393-J Tomkins Ct.
Gilroy, CA 95020
USA

Phone: 408-216-8364

Fax: 408-217-0160

Email: info@grundtech.com

Website: www.grundtech.com